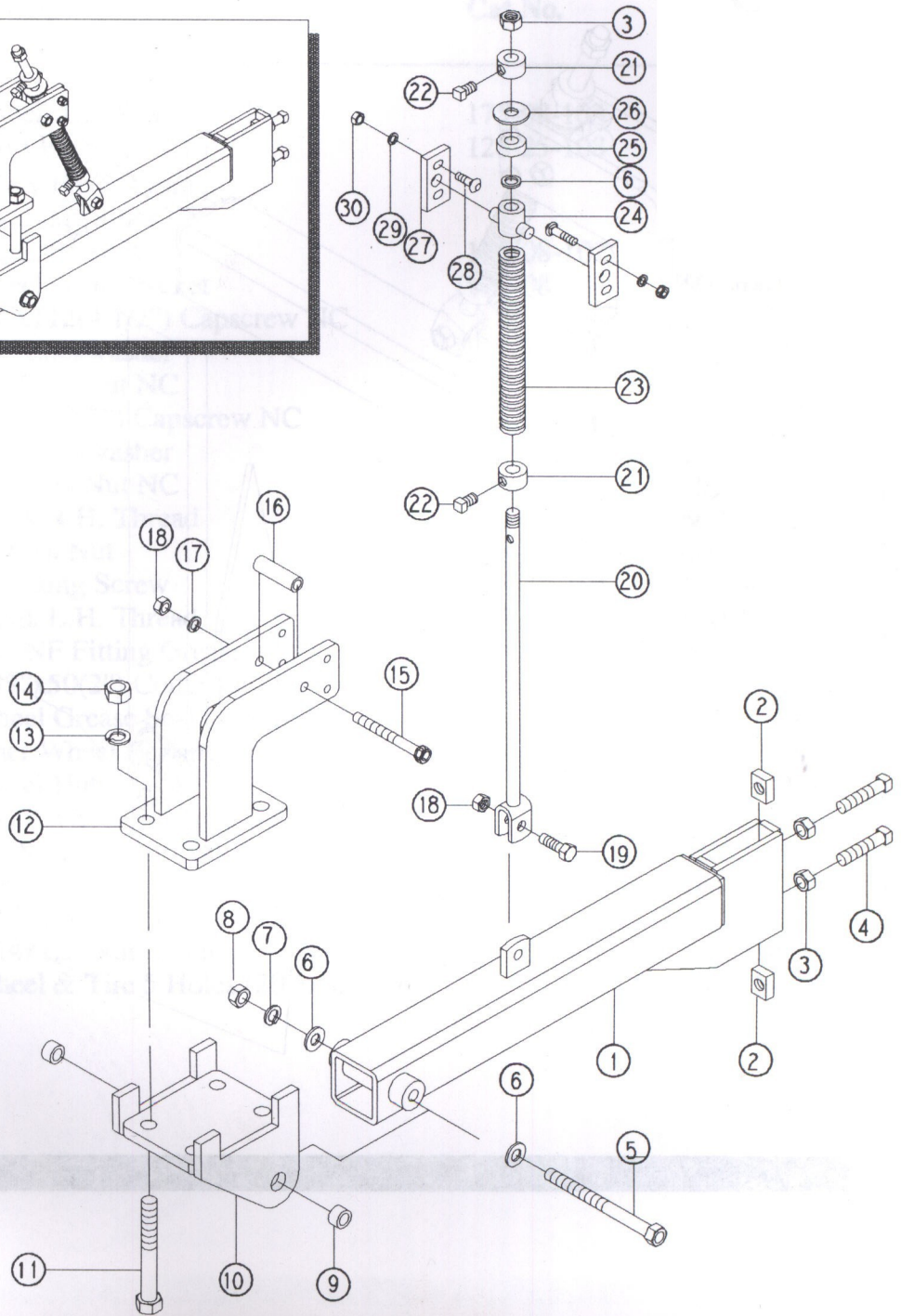
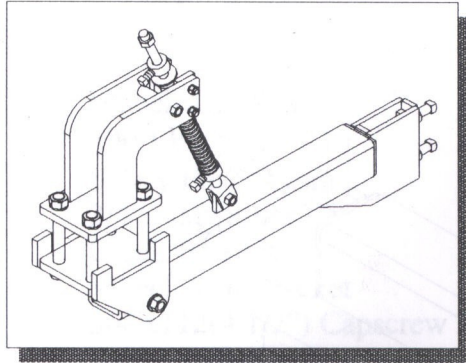


FLEXIBLE SHANK CARRIER (Optional)

Cat No: 175-10-100
Part No: 700-34-0950



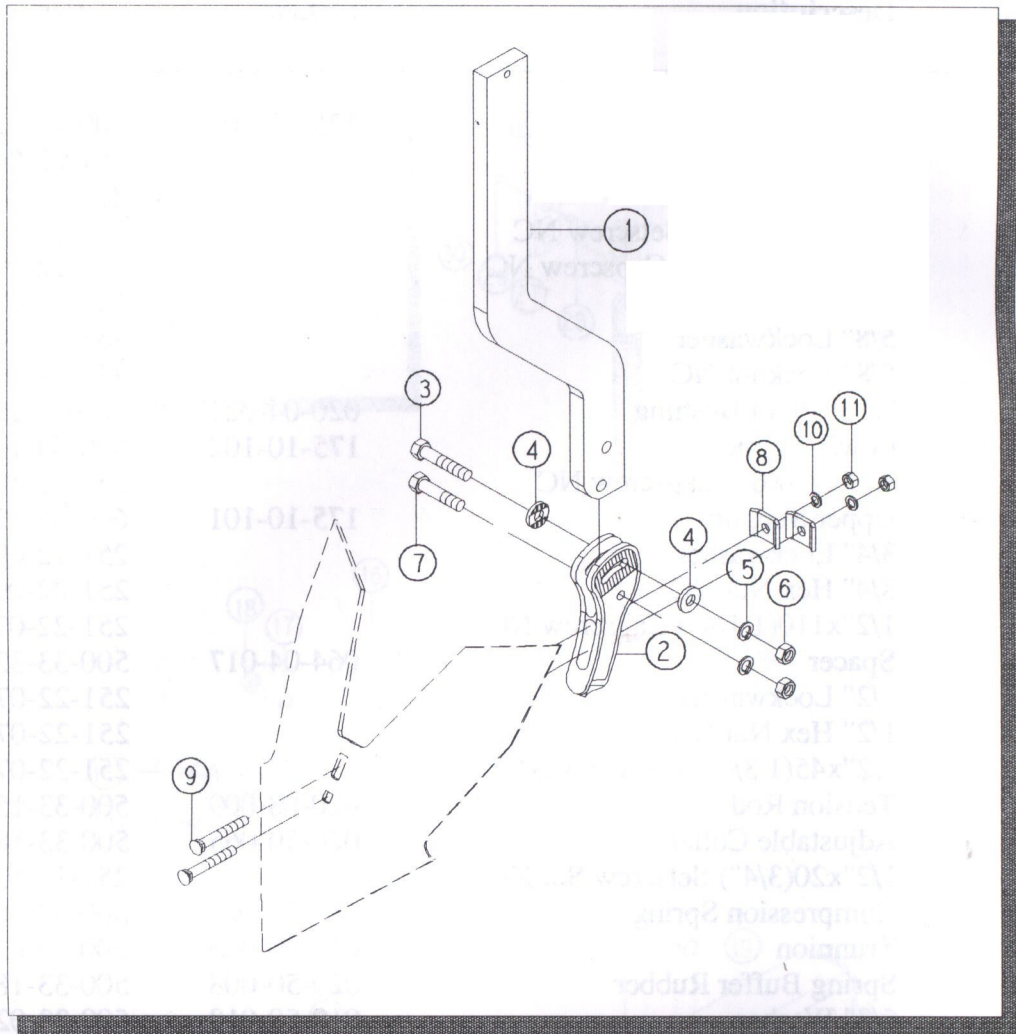
FLEXIBLE SHANK CARRIER (Optional)

Cat No: 175-10-100
Part No: 700-34-0950

Ref. No.	Description	Cat.No.	Part No.	No. Req.
1.	Carrier Arm	175-10-103	600-44-1213	1
2.	5/8" Rectangular Nut		251-22-0912	2
3.	5/8" Hex Nut NC		251-22-0904	3
4.	5/8"x63(2 1/2") Setscrew NC		251-22-1315	2
5.	5/8"x182(7 1/4") Capscrew NC		251-22-0961	1
6.	5/8" Flatwasher		251-22-0898	3
7.	5/8" Lockwasher		251-22-0894	1
8.	5/8" Locknut NC		251-22-0910	1
9.	9/16" Pivot Bushing	020-04-021	500-33-1200	2
10.	Lower Support	175-10-102	600-44-1212	1
11.	3/4"x150(6") Capscrew NC		251-22-1034	4
12.	Upper Support	175-10-101	600-44-1211	1
13.	3/4" Lockwasher		251-22-0982	4
14.	3/4" Hex Nut NC		251-22-0990	4
15.	1/2"x110(1 1/4") Capscrew NC		251-22-0774	1
16.	Spacer	064-04-017	500-33-3217	1
17.	1/2" Lockwasher		251-22-0752	1
18.	1/2" Hex Nut NC		251-22-0758	2
19.	1/2"x45(1 3/4") Capscrew NC		251-22-0778	1
20.	Tension Rod	020-08-009	500-33-1509	1
21.	Adjustable Collar	020-50-065	500-33-1865	2
22.	1/2"x20(3/4") Setscrew Sq. NC		251-22-1335	2
23.	Compression Spring	064-50-003	500-33-3603	1
24.	Trunnion	014-00-036	500-33-0345	1
25.	Spring Buffer Rubber	020-50-008	500-33-1888	1
26.	5/8" Washer	010-50-018	500-33-0270	1
27.	Trunnion Bracket	020-03-018	500-33-1018	2
28.	3/8"x25(1") Carriage Bolt NC		251-22-1210	4
29.	3/8" Lockwasher		251-22-0632	4
30.	3/8" Hex Nut NC		251-22-0638	4

RIGID BED RIPPER ASSEMBLY

Cat No: 175-07-100
Part No: 700-34-0930

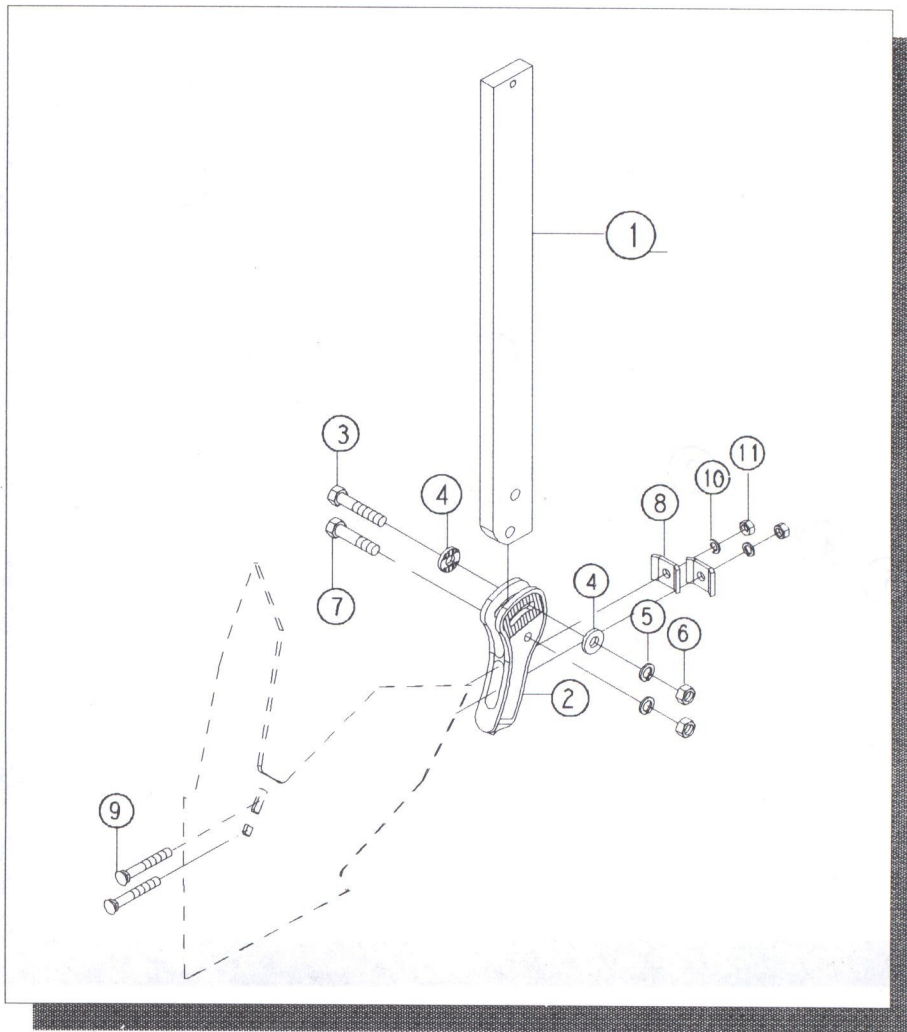


Ref. No.	Description	Cat.No.	Part No.	No. Req.
1.	Shank 3"x1"	175-07-101	600-44-1271	1
2.	Foot Shovel	BH-020-00-052	500-33-0953	1
3.	5/8"x63(2 1/2") Capscrew NC		251-22-0942	1
4.	5/8" Ratchet Washer	014-00-011	500-33-0326	2
5.	5/8" Lockwasher		251-22-0892	2
6.	5/8" Hex Nut NC		251-22-0904	2
7.	5/8"x81(3 1/4") Capscrew NC		251-22-0948	1
8.	Sweep Foot Holding Plate	014-00-040	600-34-0825	2
9.	1/2"x82(3 1/4") Plow Bolt NC		251-22-1441	2
10.	1/2" Lockwasher		251-22-0752	2
11.	1/2" Hex Nut NC		251-22-0698	2

BED RIPPER ASSEMBLY

Cat No: 020-20-075

Part No: 700-34-0822



Ref. No.	Description	Cat.No.	Part No.	No. Req.
1.	1"x3" Shank	BH-020-03-386	500-33-1150	1
2.	Foot Shovel	BH-020-00-052	500-33-0953	1
3.	5/8"x63(2 1/2") Capscrew NC		251-22-0942	1
4.	5/8" Ratchet Washer	BH-014-00-011	500-33-0326	2
5.	5/8" Lockwasher		251-22-0892	2
6.	5/8" Hex Nut NC		251-22-0904	2
7.	5/8"x81(3 1/4") Capscrew NC		251-22-0948	1
8.	Sweep Foot Holding Plate	014-00-040	600-34-0825	2
9.	1/2"x81(3 1/4") Plow Bolt NC		251-22-1441	2
10.	1/2" Lockwasher		251-22-0752	2
11.	1/2" Hex Nut NC		251-22-0698	2