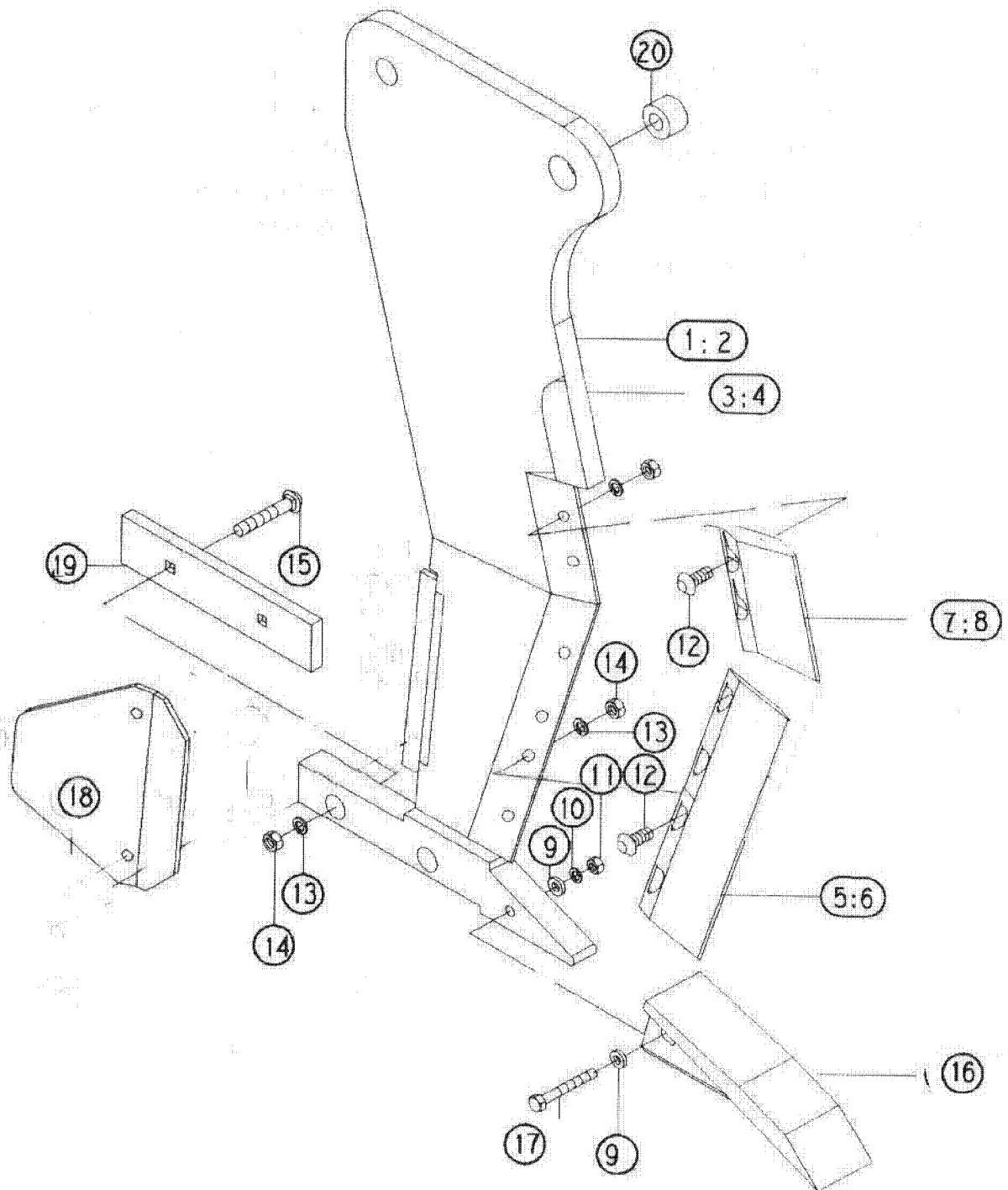


SHANK RIGHT, ASSEMBLY
(All Items Except No. 2,4,6)

SHANK LEFT, ASSEMBLY
(All Items Except No. 1,3,5)

Cat No: 170-02-200
Part No: 700-34-0712

Cat No: 170-03-200
Part No: 700-34-0722



SUB SOILER SHANK

| Ref. No | Discription | Part No |
|----------------|----------------------------------|----------------|
| 1 | Shank Assembly right short 900mm | 700340722 |
| 2 | Shank Assembly left short 900mm | 700340712 |
| 3 | Shank Assembly right long 1000mm | 700340822 |
| 4 | Shank Assembly left long 1000mm | 700340812 |
| 5 | Lower Shild right | 600340816 |
| 6 | Lower Shild left | 600340815 |
| 7 | Upper Shild right | 600340800 |
| 8 | Upper Shild left | 600340799 |
| 9 | Washer | 0621-3/8" |
| 10 | Lock Washer | 0611-3/8" |
| 11 | Nut | 0601-3/8" |
| 12 | Carriage Bolt | 06BS7/16x32 |
| 13 | Lock Washer | 0611-7/16" |
| 14 | Nut | 0601-7/16" |
| 15 | Bolt | 06NC-7/16x45 |
| 16 | Poitn | 600340808 |
| 17 | Bolt | 06NC-3/8x63 |
| 18 | Shatter plate | 600340811 |
| 19 | Edge Shield | 600340801 |
| 20 | Shear Busing | 600340416 |